

1" CLASSIC socket set, 22-pcs., chrome plated, matt finish

KS TOOLS 911.0822 consists of:

- 17 x Sockets 1": 36 - 38 - 41 - 46 - 50 - 54 - 55 - 58 - 60 - 63 mm
- 65 - 67 - 70 - 71 - 75 - 77 - 80 mm
- 2 x Extension 1", 200 + 400 mm
- 1 x Slider 1"
- 1 x T-bar adaptor for 1" extension, 550 mm
- 1 x Reversible ratchet 1", 24-teeth, 200 mm length



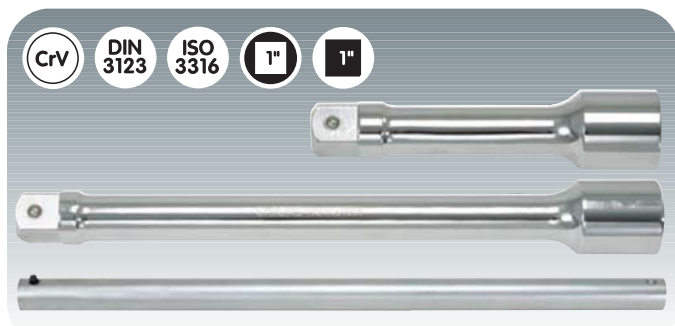
1" Reversible ratchet 1"

KS TOOLS

911.1019 1"

911.1099 Repair kit for 24-teeth-reversible ratchet

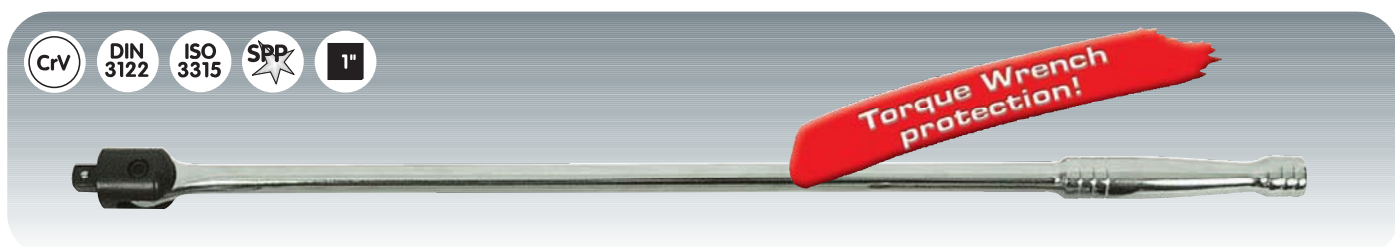
- Withstands heavy workload
- Quick release system
- 24-teeth



1" Extension
Extension shaft, chrome plated, matt finish

KS TOOLS | mm |

911.1020 Extension	200	1"
911.1040 Extension	400	1"
911.1021 Extension shaft	550	



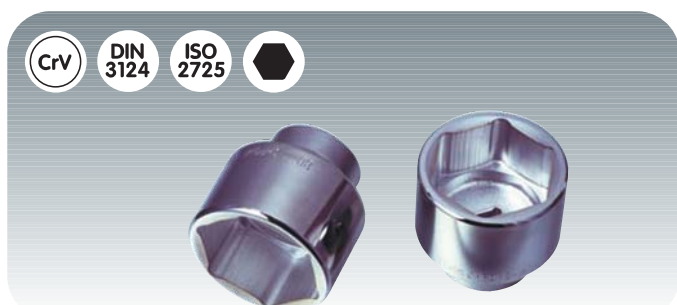
1" Swivel bar, chrome plated

KS TOOLS | mm |

- Ideal for loosening extremely tight nuts and bolts, also protects Torque wrenches from damage

918.1802 Swivel bar 1" 1"

1050



1" CLASSIC sockets, chrome plated, matt finish

KS TOOLS		dim.		dim.
911.1036	36 mm	⬢	911.1063	63 mm ⬢
911.1038	38 mm	⬢	911.1065	65 mm ⬢
911.1041	41 mm	⬢	911.1067	67 mm ⬢
911.1046	46 mm	⬢	911.1070	70 mm ⬢
911.1050	50 mm	⬢	911.1071	71 mm ⬢
911.1054	54 mm	⬢	911.1075	75 mm ⬢
911.1055	55 mm	⬢	911.1077	77 mm ⬢
911.1058	58 mm	⬢	911.1080	80 mm ⬢
911.1060	60 mm	⬢		



1" T-bar adaptor for 1" extension, chrome plated, matt finish

KS TOOLS | mm |

911.1081	80	1"
----------	----	----