



**3/4" CLASSIC** Socket set, 21-pcs., chrome plated, mirror polished

**KSTOOLS 911.0721** consists of:

- 16 x Sockets 3/4", hexagonal:
  - 19 - 21 - 22 - 23 - 24 - 26 - 27 - 29 mm
  - 30 - 32 - 35 - 36 - 38 - 41 - 46 - 50 mm
- 3 x Extension 3/4", 100 + 200 + 400 mm
- 1 x Sliding T-bar 3/4", 450 mm
- 1 x Reversible ratchet 3/4", 24-teeth, length 500 mm





**imperial**

**3/4" CLASSIC Socket set, 12 point, 21-pcs., chrome plated, mirror polished**

**KSTOOLS 911.0751** consists of:

- 16 x Sockets 3/4", 12 point: 3/4" - 13/16" - 7/8" - 15/16" - 1" - 1.1/16" - 1.1/8" - 1.3/16" - 1.1/4" - 1.5/16" - 1.3/8" - 1.7/16" - 1.1/2" - 1.5/8" - 1.3/4" - 2"
- 3 x Extension 3/4", 100 + 200 + 400 mm
- 1 x Sliding T-bar 3/4", 450 mm
- 1 x Reversible ratchet 3/4", 24-teeth, length 500 mm



**3/4" Reversible ratchet, chrome plated, mirror polished**

**KS TOOLS** | mm |

**911.3401** | 500 | 3/4"

- Quick release system
- 24-teeth
- Knurling around handle for a sure grip



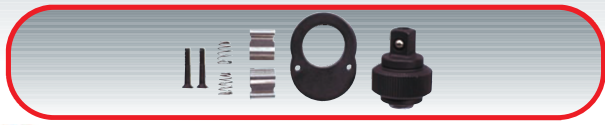
**max. 1750 Nm!**

**3/4" Industrial and fitters ratchet, chrome plated, mirror polished**

**KS TOOLS** | mm |

**911.3410** | 1000 | 3/4"

- Withstands heavy workload
- Quick release system
- 24-teeth



**3/4" Repair kit for 24-teeth-reversible ratchet**

**KS TOOLS**

**911.3499** Suitable for reversible ratchet **911.3401** and **911.3410**



**1350 Nm!**



**3/4" Telescopic-reversible ratchet , 510 - 730 mm, chrome plated, mirror polished**

**KS TOOLS** | mm |

**911.3490** Telescopic-reversible ratchet 3/4": | 510 - 730 | 3/4"

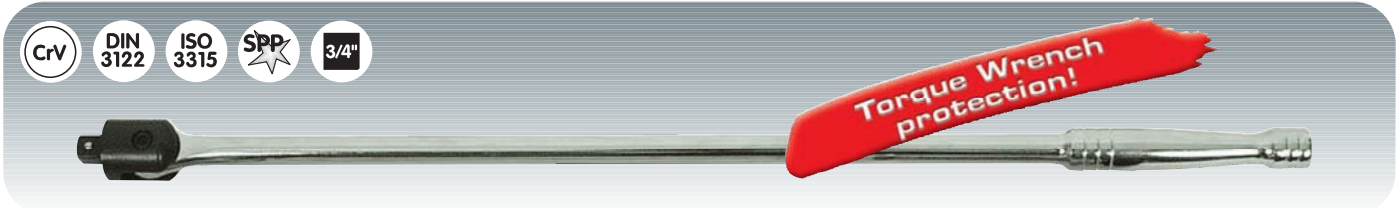
- Quick release system
- Direction adjustment by recessed lever
- 220 mm adjustable range
- 24-teeth
- Knurled bar for optimum grip



**3/4" Repair kit for 24-teeth reversible ratchet**

**KS TOOLS**

**911.3499**

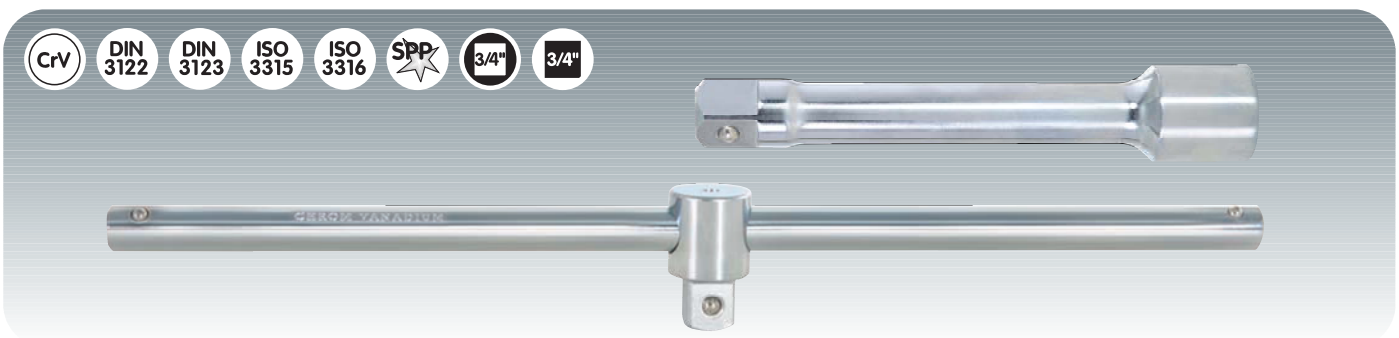


**3/4" Swivel bar, chrome plated**

**KSTOOLS** | mm |

- Ideal for loosening extremely tight nuts and bolts, also protects Torque wrenches from damage

918.1801 Swivel bar 3/4" 1030



**3/4" Sliding T-bar and extension, chrome plated, mirror polished**

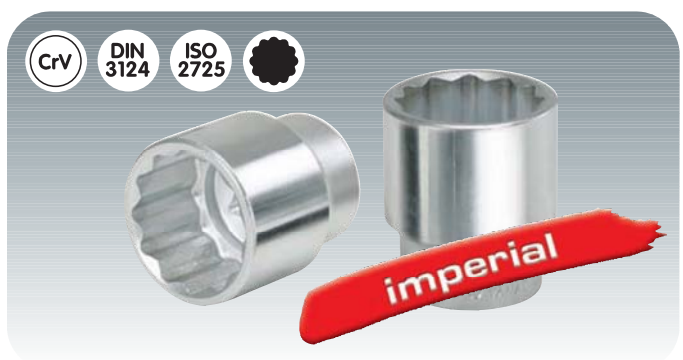
**KSTOOLS** | mm |

911.3405 Sliding T-bar 3/4"	450	DIN 3122, ISO 3315	3/4"
911.3402 Extension 3/4"	100	DIN 3123, ISO 3316	3/4"
911.3403 Extension 3/4"	200	DIN 3123, ISO 3316	3/4"
911.3404 Extension 3/4"	400	DIN 3123, ISO 3316	3/4"



**3/4" CLASSIC sockets, chrome plated, matt finish**

dim.		dim.	
911.3419	19 mm	911.3430	30 mm
911.3421	21 mm	911.3432	32 mm
911.3422	22 mm	911.3435	35 mm
911.3423	23 mm	911.3436	36 mm
911.3424	24 mm	911.3438	38 mm
911.3426	26 mm	911.3441	41 mm
911.3427	27 mm	911.3446	46 mm
911.3429	29 mm	911.3450	50 mm



**3/4" CLASSIC sockets, 12 point, chrome plated, matt finish**

inch		inch	
911.3519	3/4"	911.3530	1.1/4"
911.3521	13/16"	911.3532	1.5/16"
911.3522	7/8"	911.3535	1.3/8"
911.3523	15/16"	911.3536	1.7/16"
911.3524	1"	911.3538	1.1/2"
911.3526	1.1/16"	911.3541	1.5/8"
911.3527	1.1/8"	911.3546	1.3/4"
911.3529	1.3/16"	911.3550	2"