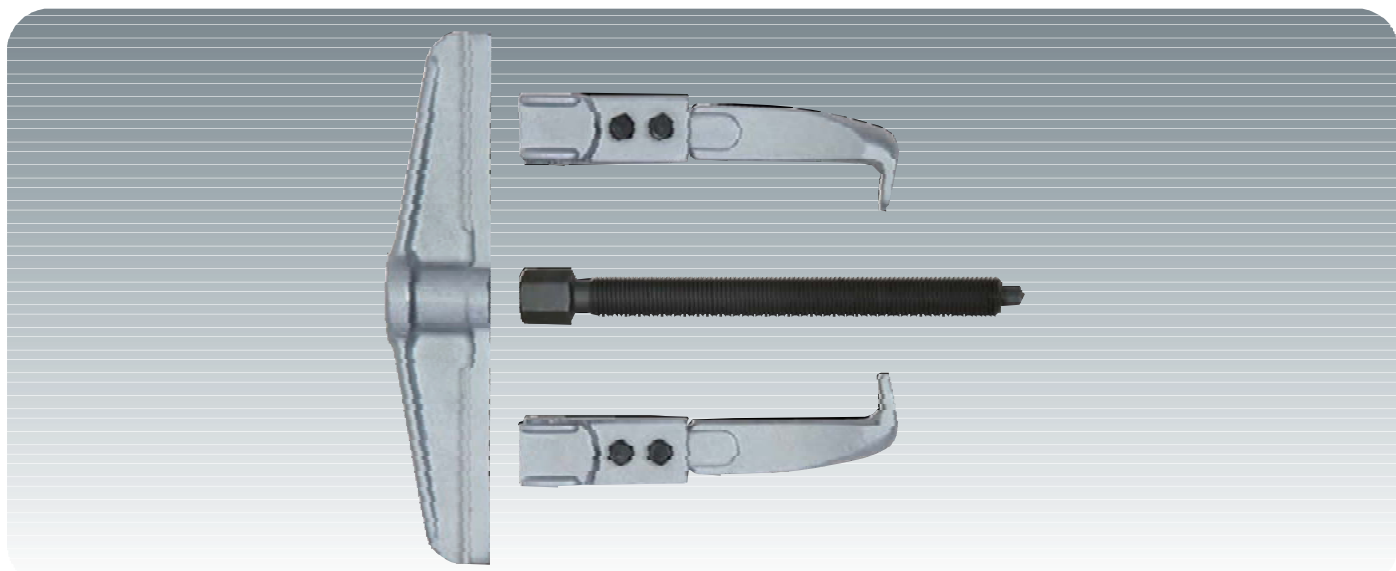




**Universal 2 arm puller**

KS TOOLS	Puller	size/mm	spindel/mm	drive	F
- A proven tool for pulling bearings, wheel bearings and other similar parts	<b>700.1040</b>	90 x 100	M14 x 1,5 x 140	17	3,0 t
- Very robust, drop forged construction	<b>700.1050</b>	130 x 100	M14 x 1,5 x 140	17	3,0 t
- Puller arm with profiled feet for use in tight spaces	<b>700.1060</b>	160 x 150	G 1/2" x 210	22	5,0 t
- Reversible arms for internal and external functions	<b>700.1070</b>	200 x 150	G 1/2" x 210	22	5,0 t
- Thrust bolt with drivable centre	<b>700.1080</b>	250 x 200	G 3/4" x 280	27	7,5 t
- Application data is specified pulling width x pulling length	<b>Attention:</b> Keep thrust bolt clean and oiled before use				



**Parts for universal 2 arm puller**

KS TOOLS	mm	spindel size/mm	drive dim
<b>700.1081</b> Puller arm	100		
<b>700.1082</b> Puller arm	150		
<b>700.1083</b> Puller arm	200		
<b>700.1086</b> Thrust bolt		M14 x 1,5 x 140	17
<b>700.1087</b> Thrust bolt		G 1/2" x 210	22
<b>700.1088</b> Thrust bolt		G 3/4" x 280	27
<b>700.1089</b> Traverse arm	90 mm to 700.1040		
<b>700.1090</b> Traverse arm	130 mm to 700.1050		
<b>700.1091</b> Traverse arm	160 mm to 700.1060		
<b>700.1092</b> Traverse arm	200 mm to 700.1070		
<b>700.1093</b> Traverse arm	250 mm to 700.1080		



## Universal puller set, 12-pcs.

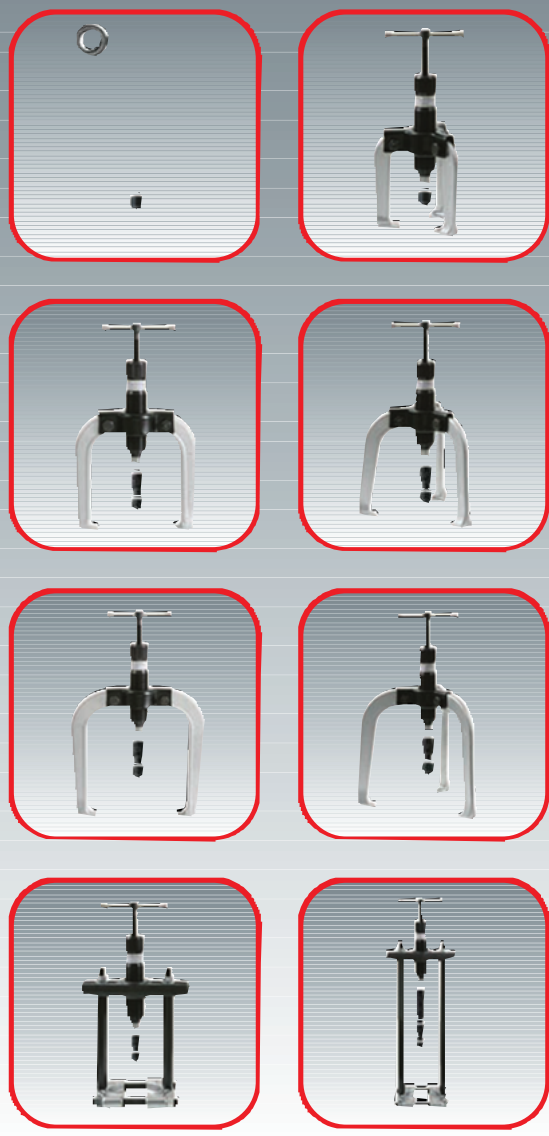
**KS TOOLS 700.1300** consists of:

- Slim line design which can be used with 2 or 3 arms
- The sliding clamp ensures exact parallelity when pulling.
- The pull clamp is forged, with slim line design to allow work in difficult to reach places
- Short set up time required with many configurations possible with this puller set
- 2 mm work depth only
- working width: max. 120 mm
- working depth: max. 260 mm

**Attention:** Thrust bolt should always be clean and oiled before use

- 1 x Thrust bolt M 14 x 1.5 with thrust bolt, length 155 mm, drive dim. 17
- 1 x 2 arm traverse
- 1 x 3 arm traverse
- 3 x Puller arm, working length 100 mm
- 3 x Puller arm, working length 210 mm
- 3 x Puller arm, working length 260 mm

- PE foam System insert, resistant to workshop chemicals, removable, fits in KS Tools workshop trolleys!
- Dim.: 390D x 282W x 35H mm



**Hydraulic thrust bolt spindle!**



**Separator and puller set, hydraulic, 10 tonnes, 17-pcs.**

**KS TOOLS 700.1200** consists of:

- Hydraulic set modifiable to 2 or 3 leg puller
- 8 Puller variations by modification possible
- Very robust puller legs with ground puller lugs
- Including thrust bolt extension with centre tip
- Including bearing separating tool for bearings up to 105 mm
- Cast steel puller unit for bearing separation with 2 adjustable spacers 185 mm and extension
- Note:**  
The standard imperial threaded puller thrust bolt (1.1/2" x 16 turns) also fits pullers from other manufacturers and can be used universally.
- Leg, short: Operating width 4" 100 mm Pulling depth 4" 100 mm
- Leg middle: Operating width 6" 150 mm Pulling depth 6" 150 mm
- Leg long: Operating width 8" 200 mm Pulling depth 8" 200 mm
- 1 x Hydraulic thrust bolt cylindrical with 1.1/2" x 16G external thread and 100 mm useable length, turn in thrust bolt with knob
- 2 x Yokes for 2 or 3 legs, quickly modified
- 3 x Puller legs, forged, with precise ground finish  
Length 4" / 100 mm
- 3 x Puller legs, forged, with precise ground finish  
Length 6" / 150 mm
- 3 x Puller legs, forged, with precise ground finish  
Length 8" / 200 mm
- 2 x Thrust bolt extension 35 mm and 85 mm
- 2 x Spacers 185 mm for bearing separator
- 1 x Guide for thrust bolts



Hydraulic thrust bolt, 100 mm usable thread, with steel T-bar

**KS TOOLS**  
**700.1201**  
 - Screw in thrust bolt, capacity 10 t pressure  
 - Adjustment via large thrust bolt threading 1.1/2" x 16 turns  
 - Hydraulic thrust length 15 mm



Puller legs, forged, with accurately ground pulling lugs

		mm	
<b>700.1202</b>	max. width 100 mm	4" / 120 mm	max. depth 100 mm / 4"
<b>700.1203</b>	max. width 150 mm	6" / 170 mm	max. depth 150 mm / 6"
<b>700.1204</b>	max. width 200 mm	8" / 225 mm	max. depth 200 mm / 8"



Yokes for 2 or 3 legs, quickly modified

**KS TOOLS**

<b>700.1205</b>	2 Legs
<b>700.1206</b>	3 Legs
<b>700.1210</b>	Pulling ring for hydraulic thrust bolt



Thrust bolt extension

**KS TOOLS**

	mm	
<b>700.1207</b>	20 mm	Guide for thrust bolts
<b>700.1208</b>	35 mm	
<b>700.1209</b>	85 mm	



**Universal Bearing puller set, 15-pcs.**

**KS TOOLS 700.1500** consists of:

- Enables easy and quick pulling of all types of bearings from the housing, when an inner shaft is present, without disassembly of the local machine parts, or removal of the shaft
- After removal or drilling of the retaining plate, the bearing adaptor is placed between the inner and outer housings
- By rotation the bearing adaptor 90°, the adaptor is fixed between the inner and outer housing
- The resultant pulling force is equal on both bearing adaptors, allowing uniform pulling
- The complete assortment includes all required adaptors, extensions and fittings for the below mentioned dimensions and manufactures

**Attention:** Thrust bolt should always be clean and oiled before use

**ISO-Bearing No.:** 6004 – 6010  
6201 – 6206  
6300 – 6304

**Working Dimensions:** 20 – 95 mm

**Adaptor diameter:** 5,5 - 6 - 8 mm

For SKF, FAG, Timken, NTN and accordingly to other manufactures

- 1 x Thrust bolt with hexagon drive
- 1 x Traverse bar
- 1 x Centring point
- 2 x Bearing adaptor with ball segment 5,5 mm
- 2 x Bearing adaptor with ball segment 6,0 mm
- 2 x Bearing adaptor with ball segment 8,0 mm
- 2 x Pull rod complete with plate and nut
- 2 x Extension, short
- 2 x Extension, long

- PE foam System insert, resistant to workshop chemicals, removable, fits in KS Tools workshop trolleys!

- Dim.: 390D x 188W x 35H mm



## Universal Bearing puller set, 15-pcs.

**KS TOOLS 700.1600** consists of:

- Enables easy and quick pulling of all types of bearings from the housing, when an inner shaft is present, without disassembly of the local machine parts, or removal of the shaft
- After removal or drilling of the retaining plate, the bearing adaptor is placed between the inner and outer housings
- By rotation the bearing adaptor 90°, the adaptor is fixed between the inner and outer housing
- The resultant pulling force is equal on both bearing adaptors, allowing uniform pulling
- The complete assortment includes all required adaptors, extensions and fittings for the below mentioned dimensions and manufactures

**Attention:** Thrust bolt should always be clean and oiled before use

**ISO-Bearing No .:**  
 6207 - 6211  
 6305 - 6308  
 6403 - 6405

**Working Dimensions:** 35 - 120 mm

**Adaptor diameter:** 11 - 12,5 - 15 mm

For SKF, FAG, Timken, NTN and accordingly to other manufactures

1 x Thrust bolt with hexagon drive

1 x Traverse bar

1 x Centring point

2 x Bearing adaptor with ball segment 11,0 mm

2 x Bearing adaptor with ball segment 12,5 mm

2 x Bearing adaptor with ball segment 15,0 mm

2 x Pull rod complete with plate and nut

2 x Extension, short

2 x Extension, long

- PE foam System insert, resistant to workshop chemicals, removable, fits in KS Tools workshop trolleys!

- Dim.: 390D x 188W x 35H mm



CrV

Separator/ puller tool

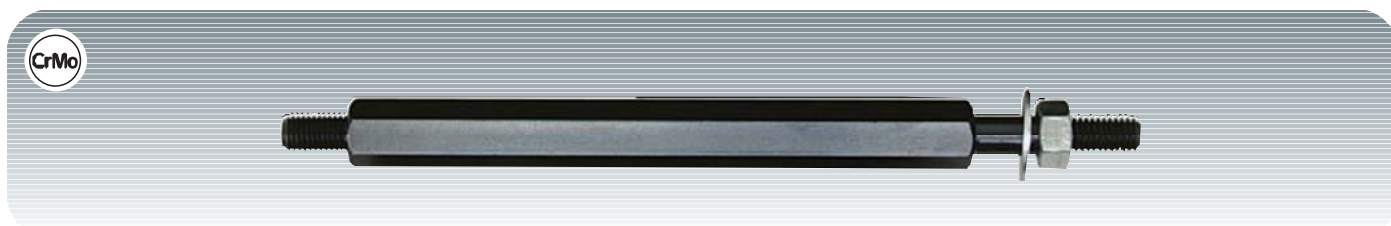
**KS TOOLS** for Ø max. 105  
700.1220



CrMo

Yoke for bearing separator tool

**KS TOOLS** 700.1221



CrMo

Extension for bearing separator tool

**KS TOOLS** | mm | 700.1222 185



CrMo

Spigot for bearing separator tool

**KS TOOLS** | mm | 700.1223 205